

Hisense

Hi-Mit II Adapter

Model: HCCS-H64H2C1M

EN INSTALLATION & USER MANUAL



CONTENTS

1

Safety Precautions.....	1
-------------------------	---

2

Product Description

2.1 Main features.....	2
2.2 Description of parts.....	3
2.3 General data.....	3

3

Installation

3.1 Components list.....	4
3.2 On-site preparations.....	4
3.3 On-site confirmation.....	4
3.4 Installation procedure.....	4
3.5 Electrical wiring.....	5

4

Configuration

4.1 DIP switch setting.....	6
4.2 Electric meter setting.....	6
4.3 APP download.....	6



5

Troubleshooting.....	6
----------------------	---

1. Safety Precautions

Please read this chapter thoroughly before installation.

The following signal words indicate important information on safety, please observe.

 WARNING	Hazards or unsafe practices that may result in severe injuries or damages.
 CAUTION	Hazards or unsafe practices that may result in minor injuries or damages.

WARNING

- Please entrust installation to the dealer or the professionals. **DO NOT** install by yourself. Improper installation may lead to electric shock or a fire.
- Electrical installation has to be performed by the professional personnel according to local laws, codes and this manual with specific power circuit. Insufficient capacity of the circuit or improper wiring may lead to electric shock or a fire.
- It is forbidden to work without cutting off power supply in case of electric shock arisen from contacting with electric parts.
- It is a must to keep away from a place with water leak or ingress of water. Improper installation location may lead to electric shock or a fire.
- It is a must to use specified accessories and parts for installation. Otherwise it may lead to electric shock or a fire.
- Please make sure of firm installation and proper cable arrangement, and of no interference from external forces. Poor contact or insecure installation may lead to a fire.
- During maintenance, please keep water away from the adapter. It may lead to electric shock when electrical parts contacting with water.
- **DO NOT** disassemble, alter or repair the adapter by yourself, please contact with the dealer or our designated service center. Improper servicing or installation may lead to electric shock or a fire.
- **DO NOT** relocate the adapter or alter the electric wiring. Please contact with the dealer or our designated service center. Improper relocation or alteration may lead to electric shock or a fire.

CAUTION

- Please do not set DIP switch or perform installation with wet hands in case of electric shock.
- The adapter is non-washable. Otherwise it may lead to electric shock or a fire.
- The power line and signal wire have to be kept away from wireless transmitter.

DO NOT install the adapter at following places:

- ① Places where there is oil or oil vapor;
 - ② Places adjacent to electromagnetic wave radiators;
 - ③ Places where generation, flow, retention or leakage of flammable gas is detected;
 - ④ Areas exposed to smoke or high temperature;
 - ⑤ Places with humid atmosphere or places that may be exposed to moisture
 - ⑥ An acid or alkaline environment;
 - ⑦ Places of poor ventilation;
 - ⑧ Places within the reach of children.
- Cut off main power source when there is an exception (e.g. smell of burnt). Please contact with the dealer or our designated service center.
 - The working altitude of the factory-supplied power adapter is within 2km. Before using, please make sure of the working altitude, and check if the output voltage of the plug seat is applicable to the power adapter.
 - The third party DC12V power supply, when required, has to comply with SELV with power no greater than 12W.

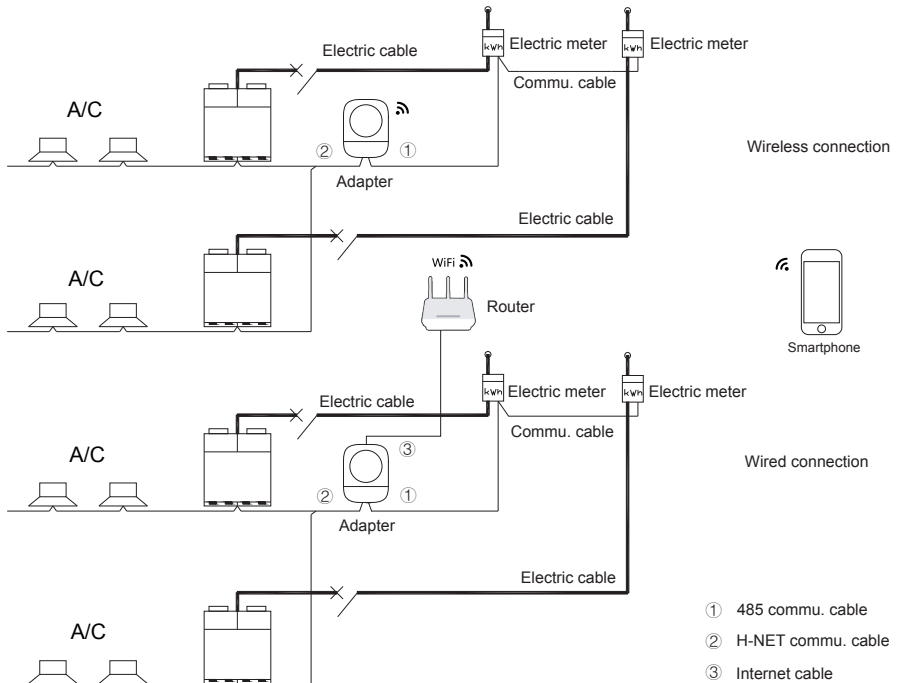
2. Product Description

2.1 Main features

Hi-Mit II adapter (hereafter referred to as adapter) should be used in conjunction with APP, with main features as below:

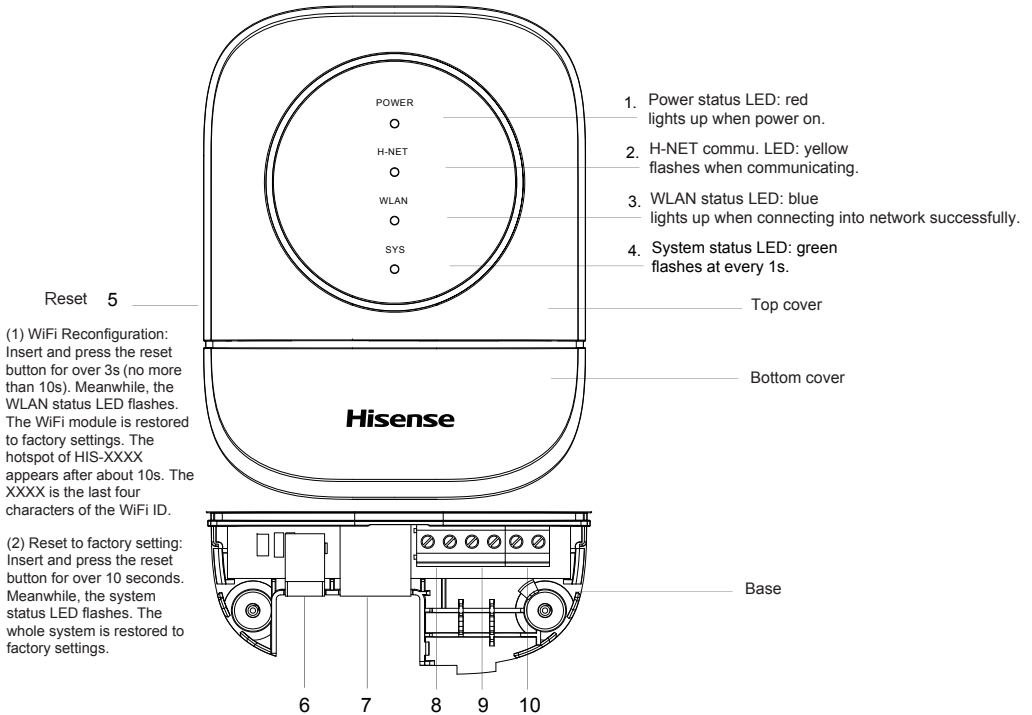
- 1) One adapter connects at most 64 indoor units, 64 outdoor units, and 64 electric meters.
- 2) One APP account creates at most 8 groups, and each group connects with at most 4 adapters.
- 3) Adapter supports both wired and wireless routers. Only one type should be selected for use.
- 4) Remote control air conditioner on ON/OFF, Temperature/Mode/Fan/Louver settings, etc.
- 5) Remote control water module on ON/OFF, Temperature/Mode settings, etc.
- 6) Monitor the operation state of air conditioners and water modules, and send alarms when exception.
- 7) Collect power consumption data of refrigeration system.
- 8) Two types of power supply systems. Only one type should be selected for operation according to on-site conditions.

System diagram:



- (1) Available electric meter type: Schneider brand with modbus port.
(2) When no electric meter in connection, the power consumption can be measured by estimate.

2.2 Description of parts



(1) WiFi Reconfiguration: Insert and press the reset button for over 3s (no more than 10s). Meanwhile, the WLAN status LED flashes. The WiFi module is restored to factory settings. The hotspot of HIS-XXXX appears after about 10s. The XXXX is the last four characters of the WiFi ID.

(2) Reset to factory setting: Insert and press the reset button for over 10 seconds. Meanwhile, the system status LED flashes. The whole system is restored to factory settings.

	Interfaces	Connection
6	Power adapter interface	connect to power adapter in accessories
7	Internet access	connect to LAN port of router
8	485 commu. terminal	connect to 485 commu. port of electric meter
9	H-NET commu. terminal	connect to commu. bus of outdoor/indoor unit
10	Backup power supply terminal	connect to power source of DC12V/1A



CAUTION

The third party power source is allowable only when AC plug failed to comply with local regulations. Port 6 and 10 shall not be used simultaneously as the DC power input in case of power failure.





2.3 General data

Item	Parameter
Outer dimension (WxHxD)	91x117x31 (mm)
Net weight	0.14kg
Installation location	Indoor
Altitude	<5km (if a low altitude AC adapter is connected in, please refer to its manual)
Quantity of connected indoor units	maximum 64
Ambient temperature	0°C ~ 40°C
Ambient humidity	30%RH ~ 60%RH
Power	2.4W
Input power of power adapter	100-240V~50/60Hz

3. Installation

3.1 Components list

When unpacking, please check if all the following items are complete and intact.

Item	Adapter	Installation Manual	Power Adapter	Accessory Pouch
Figure				
Quantity	1	1	1	1



The device is provided along with four AC plugs complying with British standard, European standard, American standard, Australian standard, as well as two bolts and two expansion plugs.

3.2 On-site preparations

Following items should be ready before installation.

Item	Specification	Requirements
DC12V power line	preferred: 0.75mm ² above, shielded twisted pair	not necessary, applicable only when using DC12V backup power interface
H-NET commu. cable	preferred: 0.75mm ² above, shielded twisted pair	necessary, for communication with A/C, commu. distance < 1000m
485 commu. cable	preferred: 0.75mm ² above, shielded twisted pair	not necessary, for communication with electric meter, commu. distance < 600m
Wireless router	preferred: TP-Link, Netgear	necessary, make sure have access to internet. When adapter connects to router in a wireless manner, straight line distance < 15m, and supports only 2.4GHz
Internet cable	100Base-TX	not necessary, applicable only when connecting to internet with cable, commu. distance < 50m

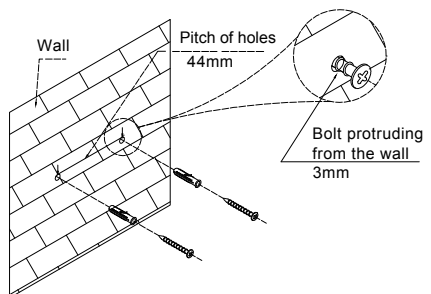
3.3 On-site confirmation

Select a place with the consent of customer and also suitable for the adapter installation.

- Check the installation location and power supply.
- Check if all the embedded lines are ready.
- Check if the air conditioner can run properly.
- Check if WiFi covers when wireless connection is adopted.
- Check if air conditioner is powered off.
- When power adapter is adopted, please confirm the type of plug on-site, and select a proper AC plug.

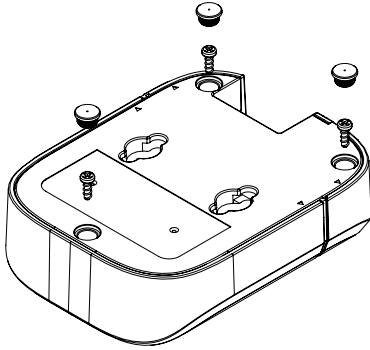
3.4 Installation procedure

- 1) Drill as per the figure in the selected wall (diameter: 6mm, pitch of holes: 44mm).
- 2) Position the expansion plugs into the holes and insert the bolts with 3~5mm protruding from the expansion plug.
- 3) Screw out the fixing bolts from the base of adapter, and remove the bottom cover, then perform wiring according to diagram.

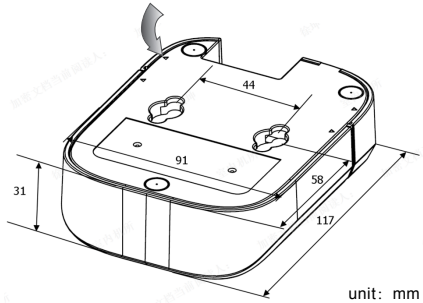


3.5 Electrical wiring

1) Remove the case:



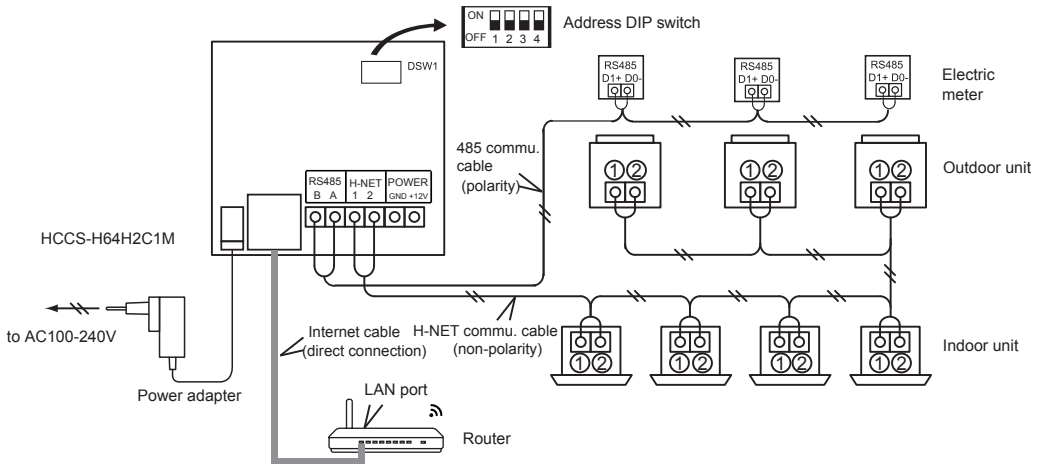
a. remove rubber plug and screws.



unit: mm

b. take off the case in the direction of the arrow.

2) Connect electric wires according to the diagram below.

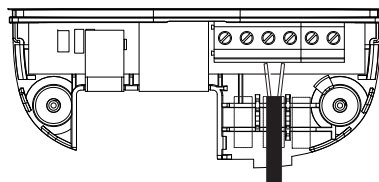


H-NET communication cable connects to H-NET terminal ① and ② of indoor unit and outdoor unit .
485 communication cable connects to the RS485 end of electric meter. A connects to D1+, and B connects to D0-.
Internet cable connects to LAN port of router (when adopted wired connection).
Power adapter connects to the plug of AC100-240V. Select a proper AC plug according to actual on-site conditions.

Wiring Requirements



a. length of wire stripping.



b. fix wire at the designated location of the trunking.

4. Configuration

4.1 DIP switch setting

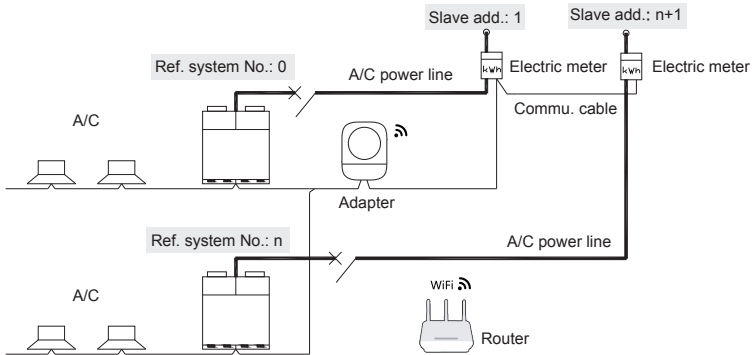
When multiple adapters (max.3) are connected to one H-NET communication cable, DSW1 has to be set.

DSW1	0xA0	0xA1	0xA2	0xA3	0xA4	0xA5	0xA6	0xA7

Note: ■ indicates the location of DIP switch. ☒ indicates no attention needed.

4.2 Electric meter setting

When connected into Schneider electric meter, the slave address of the electric meter has to be set. Communication parameter adopts default parameter of the electric meter. Baud rate: 19200, parity: even. Slave address = corresponding refrigerant system number + 1, setting diagram is as shown below:



4.3 APP download

Search and install "Hi-Mit II" App from Google Play Store or iOS App Store. Requirement to operation system of smart phone: Android 6.0, iOS 10.0 or a later version is recommended. Please scan the QR code on the right to download user manual.



5. Troubleshooting

Failure	Cause
Power status LED OFF	Check if power line is connected, and if power supply is switched on.
WLAN status LED OFF	Check if network of router is normal, and if network cable is disconnected.
System status LED ON	Adapter has not yet finish the searching.
A/C off-line or out of control	Check if communication distance of H-NET is out of specified range, and if WiFi signal is normal.
Electric meter off-line	Check if 485 communication is out of specified range or disconnected, and if the address setting is proper.

Declaration of Conformity

EN



Hereby, Hisense Hitachi declares that the radio equipment Hi-Mit II Adapter is in compliance with Directive 2014/53/EU. The full text of the EU declaration of conformity is available at the following website: <http://www.hisense-vrf.com>

Qingdao Hisense Hitachi Air-conditioning Systems Co., Ltd.
No. 218, Qianwangang Road, Economic and Technological Development Zone, Qingdao, China

Konformitätserklärung

DE



Hiermit erklärt Hisense Hitachi, dass das Funkgerät vom Hi-Mit II Adapter der Richtlinie 2014/53/EU entspricht. Der vollständige Text der EU-Konformitätserklärung ist unter der folgenden Internetadresse verfügbar: <http://www.hisense-vrf.com>

Qingdao Hisense Hitachi Air-conditioning Systems Co., Ltd.
No. 218, Qianwangang Road, Economic and Technological Development Zone, Qingdao, China



ผู้ใดไม่มีใบประกอบครอง หรือ ใช้ซึ่งเครื่องวิทยุ
คมนาคมหรือตั้งสถานีวิทยุคมนาคมนี้ ต้องได้รับ
ใบอนุญาตจากเจ้าพนักงานผู้ออกใบอนุญาต
หากฝ่าฝืน มาตรา 6 หรือมาตรา 11 มีความผิด
ตามมาตรา 23 แห่งพระราชบัญญัติวิทยุ
คมนาคม พ.ศ. 2498 ต้องระวางโทษปรับไม่เกิน
หนึ่งแสนบาท หรือจำคุกไม่เกินห้าปี หรือทั้งปรับ
ทั้งจำ



nanb. โทรคมนาคม
กำกับดูแลเพื่อประชาชน
Call Center 1200 (InswrS)



Correct Disposal of this product

This marking indicates that this product should not be disposed with other household wastes. To prevent possible harm to the environment or human health from uncontrolled waste disposal, recycle it responsibly to promote the sustainable reuse of material resources. To return your used device, please use the return and collection systems or contact the retailer where the product was purchased. They can take this product for environmentally safe recycling.



1147090

Qingdao Hisense Hitachi Air-conditioning Systems Co., Ltd.

Add: No. 218, Qianwangang Road, Economic and Technological Development Zone, Qingdao, China

<http://www.hisense-vrf.com> E-mail: export@hisensehitachi.com

The Company is committed to continuous product improvement. We reserve the right, therefore, to alter the product information at any time and without prior announcement.

M00708Q Feb. 2021 V00